

Refrigeration Controllers with Defrost

MP1

77x35x77 mm



Universal Low Cost Cooling/Heating Controller

Main Features

- Universal panel thermostat for the after-sales market
- Selectable Refrigerating or Heating mode control
- Runs on mains power supply
- Controls the load directly
- Excellent evaporator fan timed control
- Selectable PTC or NTC10K probe input
- Electrical, off cycle or hot gas defrost
- Door open and high/low temperature alarms
- Condenser clean warning
- On/Off button.

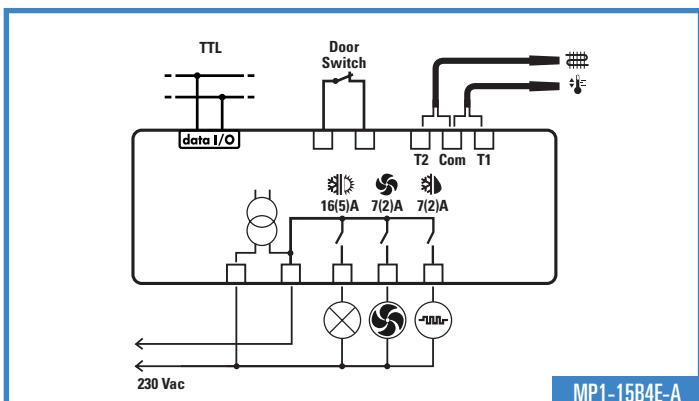
Applications

upright cabinets, cold stores, refrigerated plug-in display cases and counters, control panels, heated cupboards, thermostatic baths.

MP1-15 Series

Functions		B4E	B4E-A
Inputs	thermostat	✓	✓
	evaporator	✓	✓
	door switch	✓	✓
Outputs	thermostat	✓	✓
	defrost	✓	✓
	evaporator fans	✓	✓
Power supply	230Vac	✓	✓
Option	TTL serial port		✓

All models come with alarm buzzer.
 Versions with 12V or 110V supply are available.
 Models with removable terminal blocks are available.
Consult LAE or our local dealer.



Technical Data

Control Range:	-50 ÷ 120°C
Resolution:	0.1 / 1°; °C / °F
Accuracy:	PTC1000: $\pm 0.5^\circ\text{C}$ (-50 ÷ 120°C) NTC10K: $\pm 0.3^\circ\text{C}$ (-40 ÷ 70°C)
NTC10K:	$\pm 0.3^\circ\text{C}$ (-40.0 ÷ 70.0°C)
Sensor type:	selectable NTC10K mod. standard SN4K20P1/P2 Or PTC1000 mod. standard ST1K20P1/P2
Power supply:	230V ~ ±10% 50 ÷ 60Hz 3W
Front protection:	IP55
Panel cut-out:	71x29 mm
Ambient temperature:	-10 ÷ 50°C