

## Refrigeration Controllers with Defrost

# SSD90

165x127x55 mm



## Multi-purpose defrost controller for High & low-temperatures, with condenser control

### Main Features

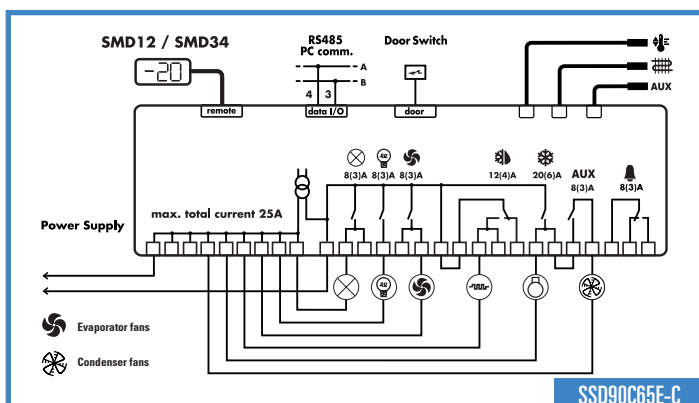
- For High and Low temperature
- No contactors or external wiring
- Up to three probes for: thermostat, evaporator, condenser
- Up to seven power relays: compressor, evaporator fans, condenser fans, defrosting, alarm, lights, auxiliary loads
- On/Off button
- Lights controlled manually or through door switch
- Selection of scale in °C/°F
- Faston connectors for Lives and Neutrals
- Up to eight alarm sources
- Quick setup through ZOT-SSD device
- Connection to supervision LAE system TAB

### Applications

Cold stores, refrigerating cabinets, tables and counters, medical cabinets and display cases, both static and ventilated. It can also be used to control heated cupboards.

### Technical Data

<b>Range:</b>	-50 ÷ 150°C / -40 ÷ 250°F
<b>Resolution:</b>	1°C/°F
<b>Accuracy:</b>	±0.5°C (-25 ÷ 100°C)
<b>Sensor type:</b>	PTC; standard mod. ST1K20C1/C2/C3
<b>Power supply:</b>	230Vac ±10%; 50/60 Hz; 5W
<b>Front protection:</b>	IP30
<b>Ambient temperature:</b>	-10 ÷ 50°C



### SSD90 Series

Functions	A14E-A	B34E-A	B35E-C	C65E-C*
Inputs	thermostat	✓	✓	✓
	evaporator		✓	✓
	condenser			✓
Outputs	thermostat	✓	✓	✓
	defrost		✓	✓
	evaporator fans		✓	✓
	condenser fans			✓
	lights	✓	✓	✓
	alarm			✓
	auxiliary	✓	✓	✓
Options	door switch	✓	✓	✓
	RS485	✓	✓	✓
Supply†	230Vac	✓	✓	✓

\* In the models C65E-C, the defrost relay is on voltage free contacts.

\*\* Versions with 110Vac supply are also available. The code changes in, for ex.: SSD90C65U-A, where "U" means 110Vac.



### SMD34: display unit

<b>Size:</b>	190x37x23 mm (WxHxD)
<b>Panel cut-out:</b>	184X31 mm
<b>Front protection:</b>	IP54
<b>Ambient temperature:</b>	-10 ÷ 50°C

### SMD12RU20: display unit

<b>Size:</b>	77x35x29 mm (WxHxD)
<b>Panel cut-out:</b>	71x29 mm
<b>Front protection:</b>	IP54
<b>200cm Flat cable:</b>	Included
<b>Ambient temperature:</b>	-10 ÷ 50°C