



## Refrigeration Controllers with Defrost

**lae**  
ELECTRONIC

**LD2W**  
110x53x75 mm

## Wall mount All Purpose Defrost Unit

### Main Features

- Wall mount thermostat for High and Low Temperature
- **FLEXICOLD** self-learning refrigeration control
- Runs on mains power supply
- Excellent evaporator fan timed control
- Electrical, hot gas or off cycle defrost
- Alarm on buzzer and relay
- High, low temperature and door open alarm
- Condenser clean warning
- HACCP functions
- On/Off button
- Connection to LAE supervisory software TAB.

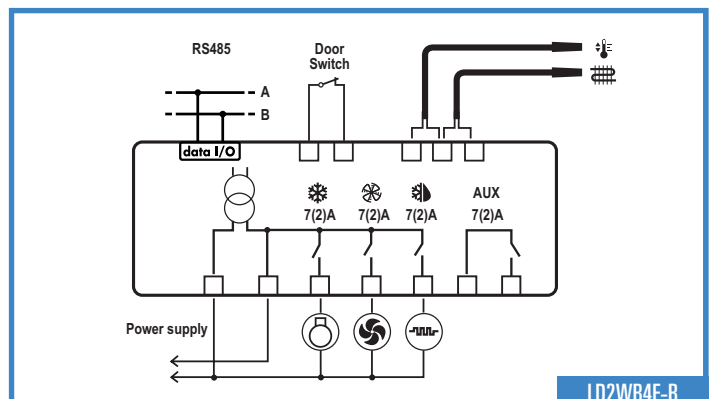
### Applications

Cold rooms.

### Technical Data

<b>Control Range:</b>	-40.0 ÷ 40.0°C
<b>Resolution:</b>	0.1 / 1°; °C / °F
<b>Accuracy:</b>	< ±0.2°C (-30.0 ÷ 30.0°C)
<b>Sensor type:</b>	NTC mod. standard SN2K20P1/P2
<b>Power supply:</b>	230V ~ ±10% 50 ÷ 60Hz 3W
<b>Front protection:</b>	IP65
<b>Ambient temperature:</b>	-10 ÷ 50°C

In order to know versions available, please consult LAE or our local dealer.



LD2WB4E-B