

Refrigeration Controllers with Defrost

LF28

105x90x55 mm



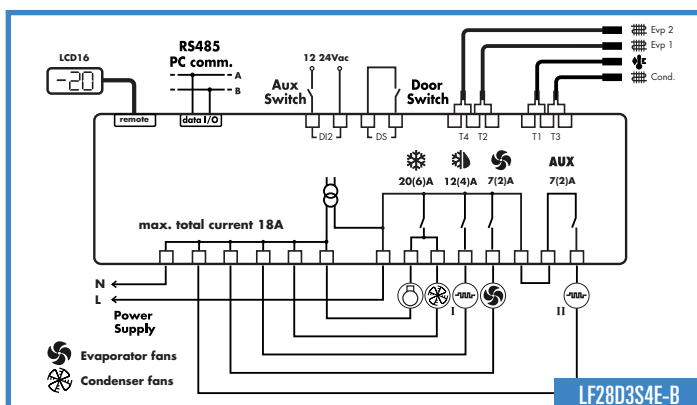
Versatile Split Defrost Unit for multiple evaporators

Main Features

- Suitable to control multiple evaporators or multiple compressors and condensers plants
- **FLEXICOLD** self-learning refrigeration control
- No need for contactors or external wiring
- Runs on mains power supply
- Light control option
- Very efficient evaporator fan control
- Electrical, hot gas or off cycle defrost
- Remote defrost start facility
- Door open, HP, High temperature alarms
- Condenser clean warning
- HACCP functions
- On/Off button
- Quick setup through ZOT device
- Connection to LAE supervisory system TAB.

Applications

Cold stores, control panels, refrigerated plug-in cabinets and display cases for shops and supermarkets.



LF28 Series

Functions		D2S4E-A	D3S4E-B
Inputs	thermostat	✓	✓
	evaporator	✓	✓
	condenser	✓	✓
	auxiliary	✓	✓
Digital inputs	door switch + aux. Digital input	✓	
	door switch + aux. voltage input		✓
Outputs	thermostat	✓	✓
	defrost	✓	✓
	evaporator fans	✓	✓
	auxiliary load	✓	✓
Options	TTL serial port	✓	
	RS485 serial port		✓
Power supply	230 Vac	✓	✓
Connections	Screw terminals	✓	✓

Versions with quick connectors for the outputs are also available

All models are fitted with alarm buzzer

Versions with 12V or 110V supply are available.

Please consult LAE or our local dealer.

Technical Data

Control Range:	-40.0 ÷ 40.0 °C
Resolution:	0.1 / 1°; °C / °F
Accuracy:	< ±0.2 °C (-30.0 ÷ 30.0 °C)
Type of sensor:	NTC mod. standard SN2K20P1/P2/P3/P4
Power supply:	230Vac ± 10%; 50/60Hz; 3W
Protection:	IP40
Ambient temperature:	-10 ÷ 50 °C

LCD16 display unit

Size:	77x35x20 mm (WxHxD)
Panel cut-out:	71x29 mm
Front protection:	IP55
Ambient temperature:	-10 ÷ 50 °C