



lae
ELECTRONIC

TIMER12

77x35x77 mm

Countdown timer

Main Features

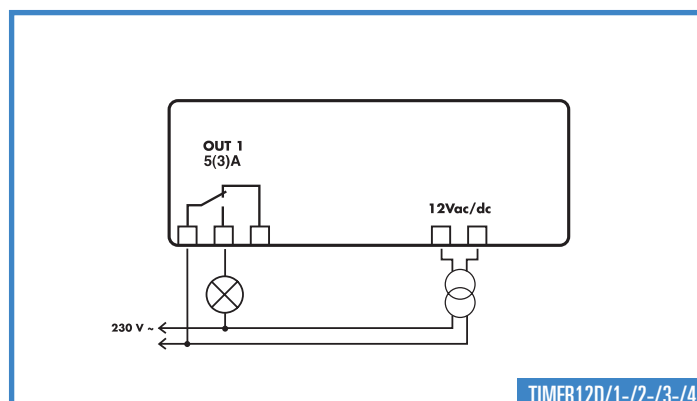
- Panel timer or clock
- Countdown in hours and minutes or minutes and seconds
- Manual start/stop of countdown
- Manual switching on/off of output

Applications

control of duration of industrial processes, control of dough retarders, control of cooking time in ovens.

Technical Data

Range:	99:59 hours:minutes ; minutes:seconds
Output:	5(3)A 240Vac
Power supply:	12Vac/dc $\pm 10\%$; 2W
Front protection:	IP54
Panel cut-out:	71x29 mm
Ambient temperature:	-10 \div 50°C



TIMER12D/1-/2-/3-/4