

## Refrigeration Controllers with Defrost

# LD1-15

77x35x77 mm



## Defrost Unit for High Temp. applications

### Main Features

- Panel thermostat for High Temperature
- Runs on mains power supply
- Controls the compressor directly
- Light and ON/OFF buttons
- Excellent evaporator fan timed control
- Electrical, hot gas or off cycle defrost
- Temperature defrost termination
- Alarm on buzzer
- Door open, high/low temperature alarms
- Condenser clean warning
- HACCP functions
- Quick setup through ZOT device
- Connection to LAE supervisory systems TAB.

### Applications

freestanding upright cabinets, cold stores, refrigerated plug-in display cases and counters, control panels.

### LD1-15 Series

Function	A1E-AG	A1E-BG	B2E-AG	B2E-AL	B2E-BG	B2E-BL
Inputs	thermostat	✓	✓	✓	✓	✓
	auxiliary			✓	✓	✓
Outputs	thermostat	✓	✓	✓	✓	✓
	auxiliary			✓	✓	✓
Options	serial TTL	✓		✓		
	serial RS485		✓		✓	✓
Keypad	standard	✓	✓	✓	✓	✓
	with light key			✓	✓	✓
Power supply	230Vac	✓	✓	✓	✓	✓

All models are fitted with an alarm buzzer.

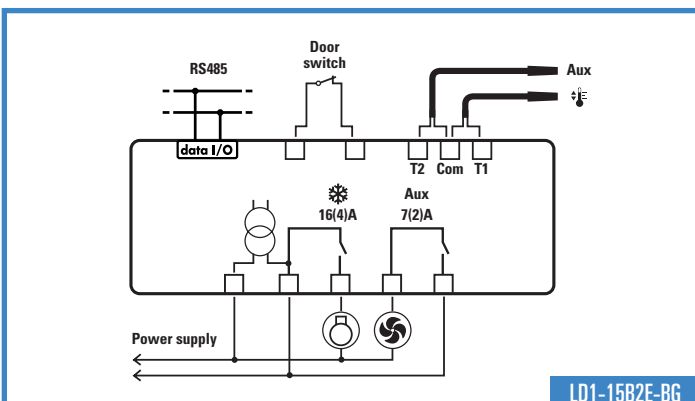
**Models with compressor relay rated for 16(5)A are also available.**

Models with 12Vac/dc and 110Vac power supply are available. Contact our distributor for information.

Models with removable terminal blocks are available.

On request, the LD1-15 is also available with gasket for a better protection between bezel and panel.

**Consult LAE or our local dealer.**



### Technical Data

<b>Control range:</b>	-40.0÷40.0°C
<b>Resolution:</b>	0.1 / 1°; °C / °F
<b>Accuracy:</b>	<±0.3°C (-40.0÷70.0°C)
<b>Sensor type:</b>	standard NTC mod. SN2K20P1/P2
<b>Power supply:</b>	230Vac ±10% 50÷60Hz 3W
<b>Front protection:</b>	IP55
<b>Panel cut-out:</b>	71x29 mm
<b>Ambient temperature:</b>	-10÷50°C